



Hardware Reference Guide

Convertible Minitower Models

Compaq Evo Desktop Family

Document Part Number: 243845-003

May 2002

This book provides basic information for upgrading this series of computers.

Contents

1 Product Features

Standard Configuration Features	1-1
Front Panel Components	1-2
Rear Panel Components	1-3
Easy Access Keyboard Components	1-4
Customizing the Easy Access Buttons	1-5
Using the Windows Logo Key	1-6
Special Mouse Functions	1-6
Serial Number Location	1-7
Changing from a Minitower to a Desktop Configuration	1-7
Changing from a Desktop to a Minitower Configuration	1-10

2 Hardware Upgrades

Installation Sequence	2-1
Smart Cover Lock	2-2
Using the Smart Cover FailSafe Key	2-2
Removing the Computer Access Panel	2-4
Removing the Front Bezel	2-5
Removing Bezel Blanks	2-7
Installing Additional Memory	2-8
DIMMs	2-8
DDR-SDRAM DIMMs	2-8
Installing DDR-SDRAM DIMMs	2-9

Hardware Upgrades

Installation Sequence

It is very important that you follow this sequence of steps to ensure the proper installation of any optional equipment.

1. If your computer includes the Smart Cover Lock feature and you have set the lock, use Computer Setup to unlock the lock and disable the Smart Cover Sensor.

For more information about Computer Setup, refer to the *Computer Setup (F10) Utility Guide*.

2. If the computer is already on, turn it off and disconnect the power cord from the wall outlet.



WARNING: To reduce the risk of personal injury from electrical shock and/or hot surfaces, be sure to disconnect the power cord from the wall outlet, and allow the internal system components to cool before touching.



WARNING: To reduce the risk of electrical shock, fire, or damage to the equipment, do not plug telecommunications or telephone connectors into the network interface controller (NIC) receptacles.



CAUTION: Static electricity can damage the electronic components of the computer or optional equipment. Before beginning these procedures, ensure that you are discharged of static electricity by briefly touching a grounded metal object. See Appendix E, “Electrostatic Discharge,” for more information.

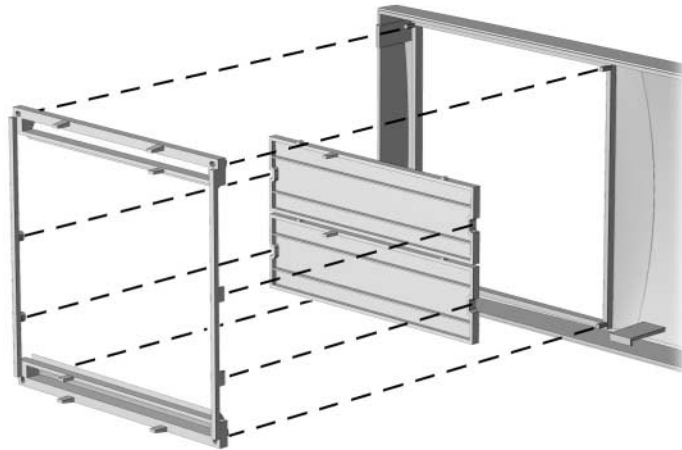
3. Open the computer by removing its outside cover. See the section “Removing the Access Panel.”

Removing Bezel Blanks

1. If you have locked the Smart Cover Lock, use Computer Setup to unlock the lock.
2. Shut down the operating system properly, then turn off the computer and any external devices. Disconnect the power cord from the power outlet and disconnect any external devices.
3. Remove the computer access panel. Remove the front bezel.
4. Gently pull the subpanel, with the bezel blanks secured in it, away from the front bezel, then remove the desired bezel blank.



CAUTION: Hold the subpanel straight when you pull it away from the front bezel. Pulling the subpanel away at an angle could damage the pins that align it within the front bezel.



Removing Bezel Blanks from the Subpanel (Desktop Shown)



When replacing the subpanel, ensure that the aligning pins and any remaining bezel blanks are in their proper orientation.

3. Install two guide screws in the lower holes on each side of the drive ❶.

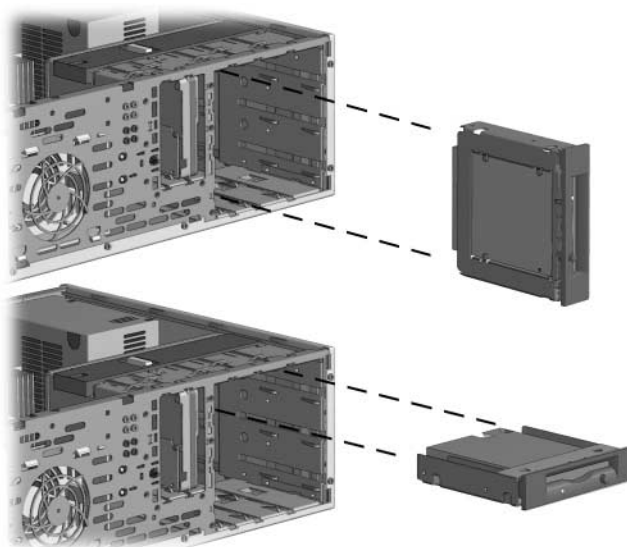


Some options use metric hardware. Extra guide screws are provided on the front of the chassis, under the front bezel. The Compaq supplied metric screws are black.

4. Install the drive in the desired drive bay by sliding it into the front of the drive cage ❷; the drivelock automatically secures the drive in the bay.



Be sure the guide screws line up with the guide slots in the drive cage.



Aligning the Guide Screws and Installing an Optional 5.25-Inch Drive on a Minitower (top) and a Desktop (bottom)

Specifications

Compaq *Evo* Convertible Minitower

Desktop Dimensions

Height	6.6 in	16.7 cm
Width	17.65 in	44.8 cm
Depth	16.8 in	42.7 cm

Tower Dimensions

Height	17.65 in	44.8 cm
Width	6.6 in	16.7 cm
Depth	16.8 in	16.8 cm

Approximate Weight

20.0 lb	9.1 kg
---------	--------

Weight Supported (maximum distributed load)

100.0 lb	45.5 kg
----------	---------

Temperature Range

Operating	50° to 95°F	10° to 35°C
Nonoperating	-22° to 140°F	-30° to 60°C

Relative Humidity (noncondensing)

Operating	10-90%	10-90%
Nonoperating	5-95%	5-95%

Maximum Altitude (unpressurized)

Operating	10,000 ft	3048 m
Nonoperating	30,000 ft	9144 m

Guidelines for Installing Ultra ATA Devices

When installing additional Ultra ATA drives, follow these guidelines:

- If using multiple Ultra ATA devices, Compaq recommends that the devices be split between the primary and secondary Ultra ATA channels for optimum performance. Use an additional Ultra ATA cable to connect the additional device to the system board.
- 80-conductor Ultra ATA cable:
 - 18 inches maximum total length, 80-conductor cable with maximum spacing of 6 inches between Device 0 and Device 1.



80-Conductor Ultra ATA Cable

- ① Device 0 (master drive) connector
- ② Device 1 (slave drive) connector
- ③ System board connector
- For optimal performance, connect hard drives to the primary controller. Connect expansion devices, such as ATA optical drives, tape drives, and diskette drives, to the secondary controller.
- Install either a third-height or a half-height drive into a half-height bay.
- Install guide screws to ensure that the drive lines up correctly in the drive cage. Compaq has provided extra guide screws installed in the front of the computer chassis behind the front bezel. Some options use M3 metric hardware. Compaq supplied metric screws are black.
- If only one device is connected to a cable, that device must be attached to the end (Device 0) connector.

Index

1.44-MB diskette drive 2–24

B

battery
 replacement C–1
bezel blanks
 removing 2–7

C

caring for MultiBay drives 2–24
cautions
 prevention of data loss 2–24, 2–25
CD-ROM drive 2–24
CD-RW drive 2–24
Components
 Front Panel 1–2
 Rear Panel 1–3
computer access panel
 removing 2–4
computer care F–1
Configuration
 desktop 1–7
 minitower 1–10
Configuration Features 1–1

D

Drive Positions 2–14
DVD-ROM drive 2–24

E

Easy Access Buttons
 customizing 1–5

electrostatic discharge E–1

F

formatting a MultiBay hard drive 2–26
front bezel
 removing 2–5
Front Panel Components 1–2

H

hard drive
 installation guidelines B–1
 MultiBay 2–24, 2–26
 partitioning and formatting 2–26

I

installation sequence 2–1
installing
 a 3.5-inch drive 2–17
 a hard drive 2–20
 additional drives 2–15
 an expansion card 2–12

K

keyboard
 Easy Access keyboard 1–4
 identifying keys 1–4
 Windows Logo Key 1–6

M

memory
 DIMMs 2–10
 illustration 2–10
 installing additional memory 2–8