

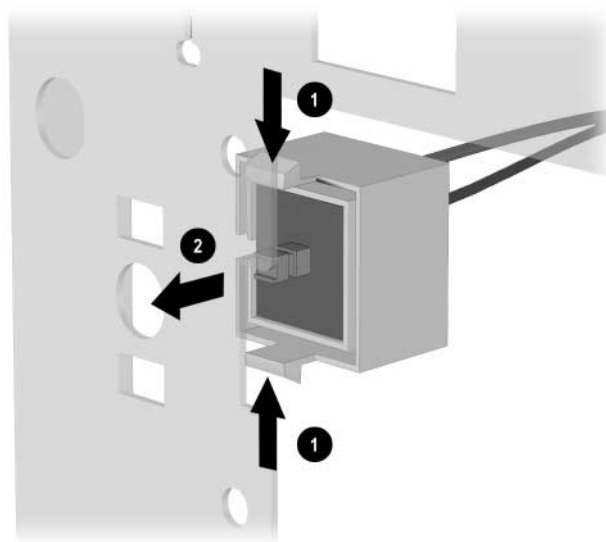
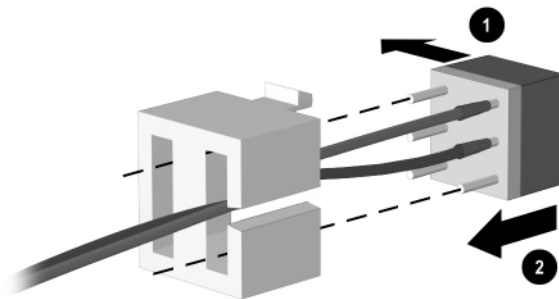
DRAFT

COMPAQ

Power Switch Retainer

This kit contains twenty adhesive washers and one plastic switch housing. A single washer will permanently prevent the power switch from dislodging. Twenty are provided in case multiple units require repair. The plastic switch housing is included in case the original one is broken.

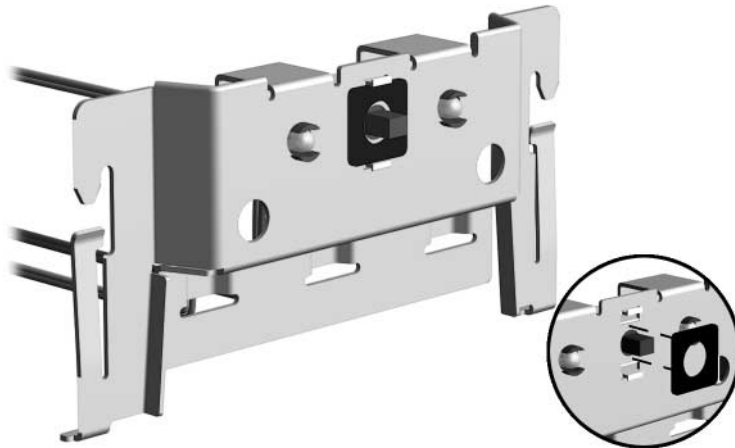
1. If the plastic switch housing is broken, replace with the new one. If it is not broken, reinstall the original one.



*Compaq Confidential
Last modified: 2/13/02
File: PowerSwitch2.fm*

DRAFT

2. Remove a washer from the backing strip, being careful not to damage the adhesive.
3. Align the washer over the power button.
4. Press firmly. The edges of the washer should prevent the “ears” of the plastic switch housing from deflecting inward. They do not need to be perfectly flush with the ears.



225594-002

© 2002 Compaq Computer Corporation. Compaq, the Compaq logo, Registered in U. S. Patent and Trademark Office. Compaq shall not be liable for technical or editorial errors or omissions contained herein. The information in this document is provided “as is” without warranty of any kind and is subject to change without notice. The warranties for Compaq products are set forth in the express limited warranty statements accompanying such products. Nothing herein should be construed as constituting an additional warranty. Nothing herein should be construed as constituting an additional warranty.

Compaq Confidential
Last modified: 2/13/02
File: PowerSwitch2.fm